

Weber ATD 10-120 extreme low jack

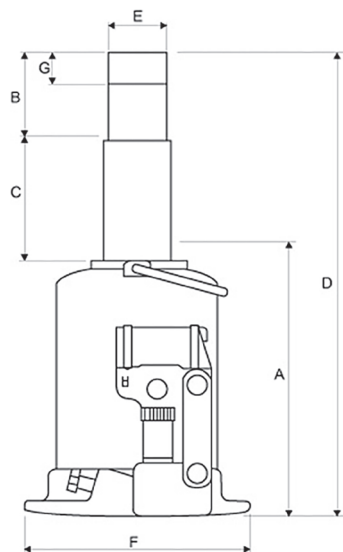


Properties

- Spherical foot reduces the lateral pressure.
- Protection against overload by overpressure valve.
- Can be used from -20 ° to + 70 ° C.

Norm:

- EN12100-1/2, EN13157
- DIN76024, VBG8



Type	WLL (kg)	A (mm)	B (mm)	C (mm)	D (mm)	E (mm)	F (mm)	G (mm)	Weight (kg)	ProductId
ATD10-120	10000	120	65/105	49	234/274	39,5	164 X 160	5/45	6,9	2707008